

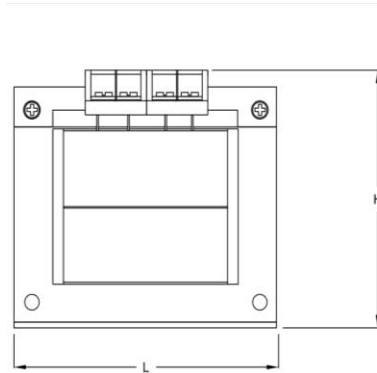
**Series: GP**  
**General Purpose**  
**Industrial Control Transformer**

Power Rating: **750VA**

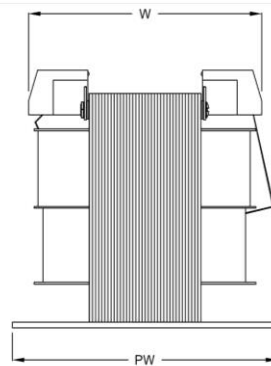
- UL/cUL 5085-2 Listed File E47299, CE marked.
- UL 1446 Recognized Class F 155°C Insulation System File E95662
- 50/60Hz Operation
- No Fuse on Primary and Secondary Side
- European Style Touch-Proof Terminals.



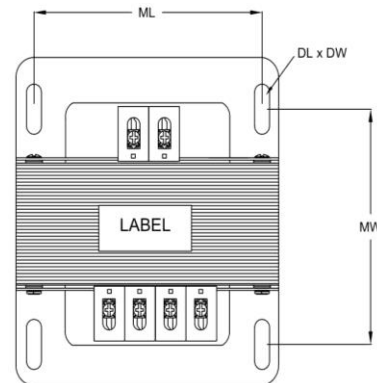
**FRONT VIEW**



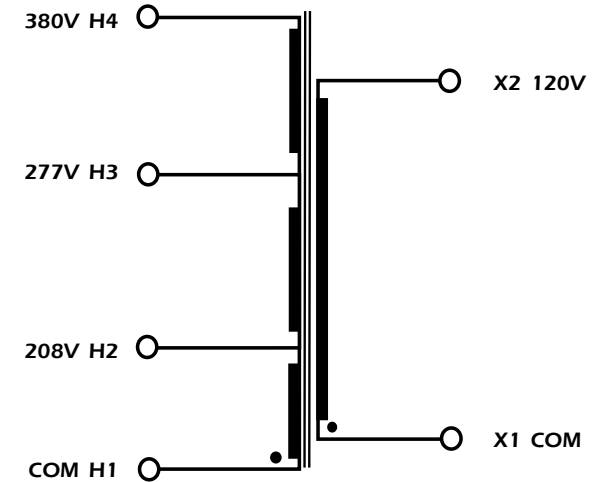
**SIDE VIEW**



**TOP VIEW**



DIMENSIONS	
L	5.250"
W	6.400"
H	4.900"
ML	4.380"
MW	5.380"
PW	6.810"
DL x DW	1.000"x0.312"



		<p>The Power for your System</p>	300 W Factory Road Addison, IL 60101 USA TEL: 630-628-9999 FAX: 630-628-9922 www.powervolt.com
		DESCRIPTION: General Purpose Industrial Transformers 208,277,380V 50/60Hz 120V 750VA	
0	4-Mar-2020	<b>MODEL: GP0750-H00.Mxx</b>	
REV	DATE		