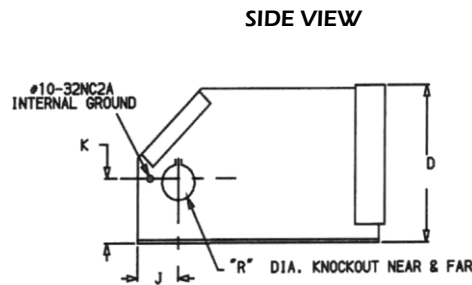
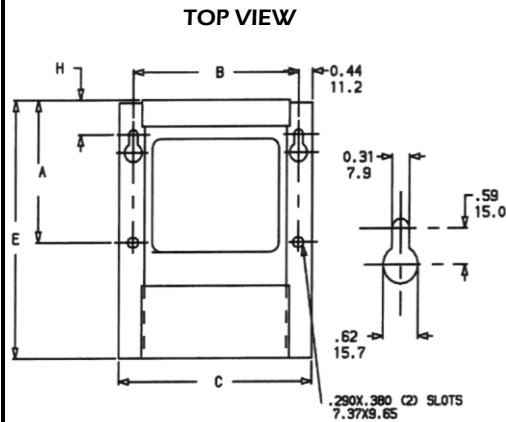


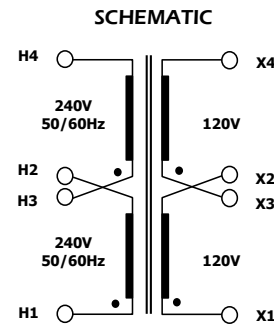
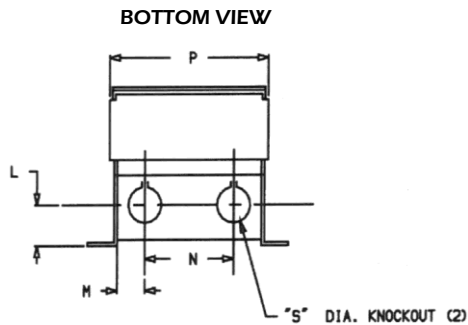
General Purpose Enclosed Single Phase NEMA 3R Transformer

- UL/cUL 5085-2 Listed File E47299, CE marked.
- UL 1446 Recognized Class H 180°C Insulation System File E95662
- 50/60Hz Operation
- Lead Wires: UL3173 XLPE, #14 Gauge 125C Tin Stranded.
- Primary Lead wires Black in color and Secondary Lead wires RED in color.
- Lead Designation (numbering) embedded on Lead wires.
- Knockouts provided on Sides, bottom and back of the Enclosure .
- Hanging slots provided.

Power Rating: 500VA



| ENCLOSURE DIMENSIONS | |
|----------------------|-----------------|
| Dims | |
| A | 3.50" |
| B | 5.87" |
| C | 6.87" |
| D | 4.87" |
| E | 8.37" |
| G | 0.290" x 0.380" |
| H | 1.12" |
| J | 1.37" |
| K | 2.00" |
| L | 1.25" |
| M | 1.03" |
| N | 3.00" |
| P | 5.38" |
| R | 1.11" |
| S | 1.11" |



| | | | |
|---|-------------|---|--|
| <p>300 W Factory Road Addison, IL 60101 USA TEL: 630-628-9999 FAX: 630-628-9922</p> | | | |
| | | DESCRIPTION: NEMA 3R General Purpose Enclosed Transformers 240/480V 50/60Hz 120/240V 500VA | |
| 0 | 13-Sep-2024 | MODEL: GP0500-M50EN | |
| Rev | DATE | | |