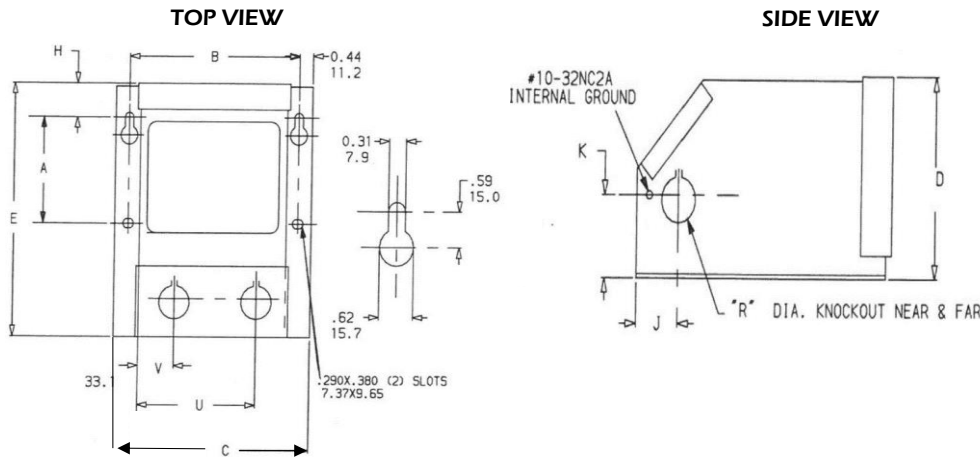


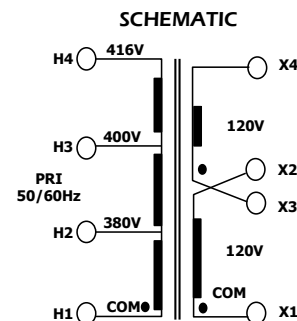
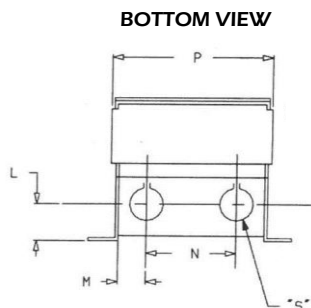
General Purpose Enclosed Single Phase NEMA 3R Transformer

- UL/cUL 5085-2 Listed File E47299, CE marked.
- UL 1446 Recognized Class H 180°C Insulation System File E95662
- 50/60Hz Operation
- Lead Wires: UL3173 XLPE, #14 Gauge 125C Tin Stranded.
- Primary Lead wires Black in color and Secondary Lead wires RED in color.
- Lead Designation (numbering) embedded on Lead wires.
- Knockouts provided on Sides, bottom and back of the Enclosure .
- Hanging slots provided.

Power Rating: 750VA



| ENCLOSURE DIMENSIONS | |
|----------------------|-------------|
| Dims | |
| A | 4.00" |
| B | 6.88" |
| C | 7.88" |
| D | 5.50" |
| E | 9.63" |
| G | 0.29"x0.38" |
| H | 2.06" |
| J | 1.63" |
| K | 2.38" |
| L | 1.25" |
| M | 1.03" |
| N | 4.00" |
| P | 6.27" |
| R | 1.32" |
| S | 1.08" |
| U | 4.25" |
| V | 1.78" |



| | | |
|----------|---------------------|---|
| 0 Rev | 13-Sep-2024 DATE | <p>300 W Factory Road Addison, IL 60101 USA TEL: 630-628-9999 FAX: 630-628-9922</p> |
| | | <p>DESCRIPTION: NEMA 3R General Purpose Enclosed Transformers 380,400,416V 50/60Hz 120/240V 750VA</p> <p>MODEL: GP0750-EG50EN</p> |