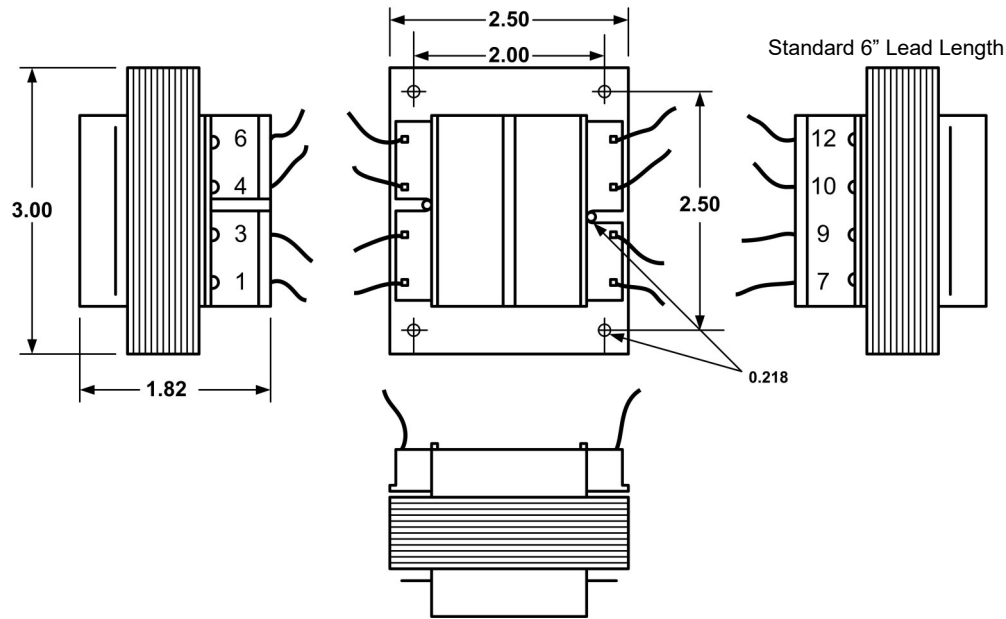
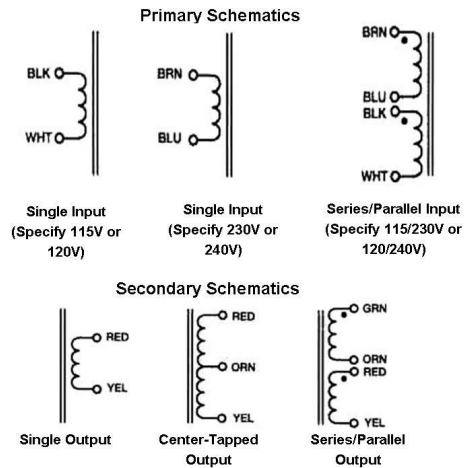


ADMIRAL CLASS - INTERNATIONAL LEAD WIRES, POWER TRANSFORMER



1. Electrical Specifications
 - A. Maximum Power: 56VA
 - B. Input Voltage and Frequency: 115V, 115/230V, 230V 50/60Hz
 - F. Hi-Pot: 4000Vrms 1 minute
2. Marking: Ensign Corp, part number (see table), date code
3. Agency Approval:
 - UL/cUL 5085-2 Recognized (File 47299)
 - UL 60950 Recognized (File E144070)
 - VDE 0805 Licensed (File 19019-3336-9002/A1C)
 - UL 1446 Recognized Insulation System (File 95662)



Part Number		Series Connection	Parallel Connection
115V	115/230V		
IL056-1-010X	IL056-2-010X	10VCT @ 5.6A	5V @ 11.2A
IL056-1-012X	IL056-2-012X	12.6VCT @ 4.4A	6.3V @ 8.8A
IL056-1-016X	IL056-2-016X	16VCT @ 3.5A	8V @ 7.0A
IL056-1-020X	IL056-2-020X	20VCT @ 2.8A	10V @ 5.6A
IL056-1-024X	IL056-2-024X	24VCT @ 2.33A	12V @ 4.66A
IL056-1-028X	IL056-2-028X	28VCT @ 2.0A	14V @ 4.0A
IL056-1-036X	IL056-2-036X	36VCT @ 1.56A	18V @ 3.2A

	POWER TRANSFORMER ADMIRAL CLASS		IL056-1-XXXX IL056-2-XXXX IL056-3-XXXX	
	CONTENTS OF THIS DRAWING ARE SUBJECT TO CHANGE WITHOUT PRIOR NOTICE		Ensign Corporation 201 ENSIGN RD., BELLEVUE, IA 52031	Dim: Inches Sheet 1 of 1
PROPRIETARY NOTICE: THIS DRAWING PRINT OR DOCUMENT AND SUBJECT MATTER DISCLOSED HEREIN ARE PROPRIETARY ITEMS TO WHICH ENSIGN RETAINS THE EXCLUSIVE RIGHT OF DISSEMINATION, MANUFACTURE AND SALE. THIS DRAWING, PRINT OR DOCUMENT IS SUBMITTED IN CONFIDENCE FOR CONSIDERATION BY THE RECIPIENT ALONE UNLESS PERMISSION FOR FURTHER DISCLOSURE IS EXPRESSLY GRANTED IN WRITING				