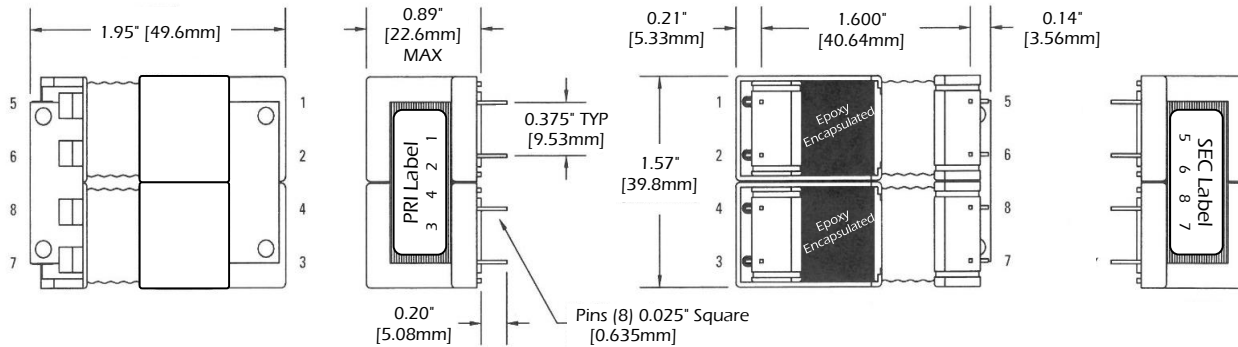


SPW-2100

SPW-2100 Series Features:

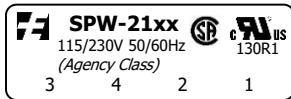
- * Rating: 6VA
- * Dual 115/230V inputs, dual (series/parallel) outputs, (see schematic notes below).
- * Input windings are epoxy encapsulated.
- * Approved for US and Canada, International-capable.
- * Low profile.
- * Reduced EMI.
- * Flame-retardant bobbin/shroud (UL 94 V0).
- * 100% tested for PRI-SEC hi-pot at 4000VAC.
- * Side-by-side inputs and outputs (no electrostatic shield required).
- * Coated to resist dust and moisture.
- * Same PCB layout as non-encapsulated series: SPW-100 and SLP-24-100 (24V 60Hz input), and economy encapsulated SPW-3100-Series.



CERTIFICATIONS & DECLARATIONS

- * **UL 5085-3** Class 2, Class 3, or Construction Only (depending on model) for U.S. & Canada, File E49606, or CSA File 063944.
- NOTE: Class 2/Class 3 recognitions require an external fuse to be added by the customer in the input circuit. If configured for 115V input, Littelfuse 218.100. If configured for 230V, Littelfuse 218.050.*
- * **UL 1446** Recognized Class B (130°C) OBJ2 Insulation System, File E95662.
- * **RoHS and REACH** Compliant.
- * California **Prop 65** warning:
These products may contain chemicals known to the State of California to cause cancer, and birth defects or other reproductive harm.

"xx" is replaced by last 2 digits of model number

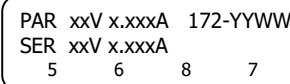


PRI Label

Agency Classes:

- (see Chart below, and Certification note)
- ** Class 2 Not Wet, Class 3 Wet (US & Canada)
- *** Class 3 (US & Canada)
- * Construction only (US & Canada)

Dimensions are for reference only.

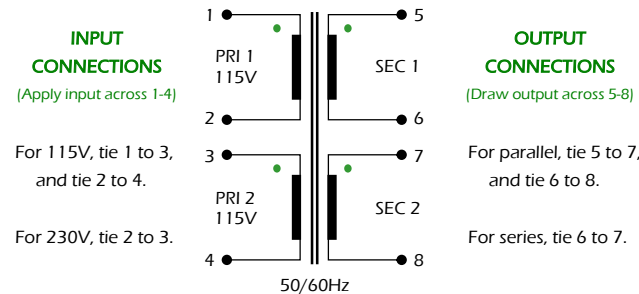


SEC Label

(*YYWW" replaced by current date code)

MODEL	Series Rating	Parallel Rating
SPW-2100 **	10VCT @ 0.600A	5V @ 1.200A
SPW-2101 **	12.6VCT @ 0.450A	6.3V @ 0.900A
SPW-2102 **	16VCT @ 0.350A	8V @ 0.700A
SPW-2103 ***	20VCT @ 0.300A	10V @ 0.600A
SPW-2104 ***	24VCT @ 0.250A	12V @ 0.500A
SPW-2105 ***	34VCT @ 0.170A	17V @ 0.340A
SPW-2106 ***	40VCT @ 0.150A	20V @ 0.300A
SPW-2107 ***	56VCT @ 0.100A	28V @ 0.200A
SPW-2108 *	88VCT @ 0.065A	44V @ 0.130A
SPW-2109 *	120VCT @ 0.050A	60V @ 0.100A
SPW-2110 *	230VCT @ 0.025A	115V @ 0.050A
SPW-2111 ***	30VAC @ 0.200A	15V @ 0.400A

PRI 1 and PRI 2 must ALWAYS be inter-connected, either in parallel or series.
SEC 1 and SEC 2 must ALWAYS be inter-connected, either in parallel or series.



REV	DATE	DESCRIPTION	BY
0	31-May-2021	Acquired from Prem Magnetics. Released for Production.	SDE

115/230V 50/60Hz
6VA



A PowerVolt Group Company
Bellevue, Iowa 52031 USA
ISO 9001 Registered since 1998