

# SPHV-277-1100

## CERTIFICATIONS & DECLARATIONS

- \* **UL 1446** Class B (130°C) Insulation System, File E95662

*NOTE: Fusing these transformers to comply with safety agency requirements in the end product(s) is the responsibility of the customer.*

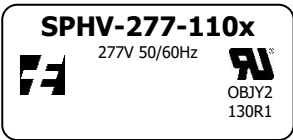
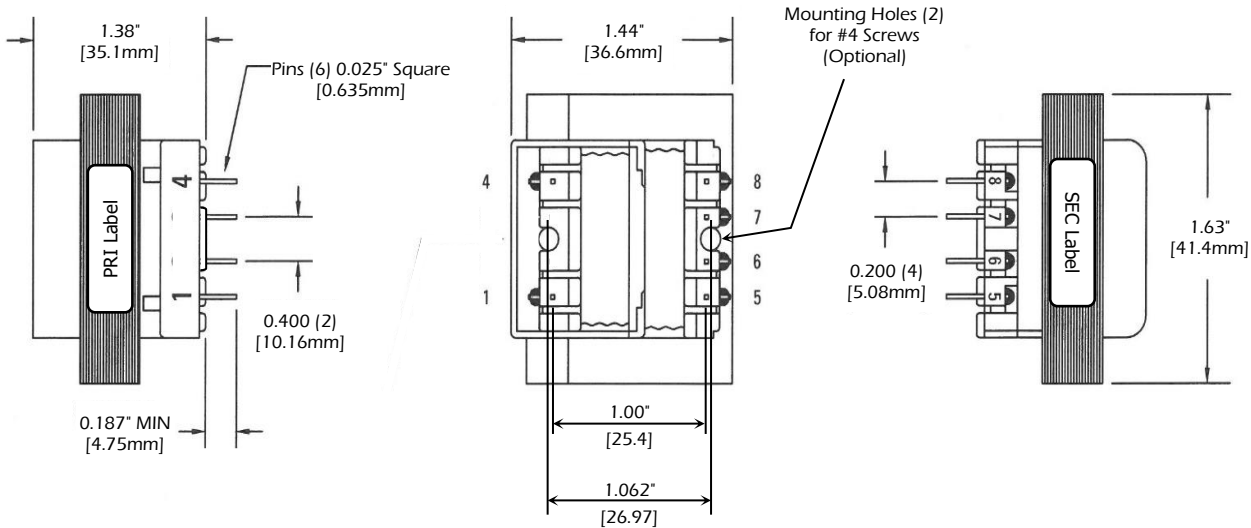
- \* **RoHS** and **REACH** Compliant
- \* California **Prop 65** warning:

*These products may contain chemicals known to the State of California to cause cancer, and birth defects or other reproductive harm.*

0	31-May-2021	Acquired from Prem Magnetics. Released for Production.	SDE
REV	DATE	DESCRIPTION	BY

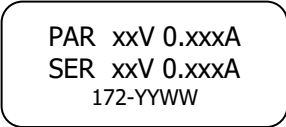
### SPHV-277-1100 Series Features:

- \* Rating: 5VA
- \* Single 277V input, dual (series/parallel) outputs, (see schematic notes below).
- \* US, Canada, and International-capable construction with shrouded PRI.
- \* Flame-retardant bobbin/shroud (UL 94 V0).
- \* 100% tested for PRI-SEC hi-pot at 4000VAC.
- \* Side-by-side inputs and outputs (no electrostatic shield required).
- \* Coated to resist dust and moisture.
- \* Same pin layout as SPW-1100 Series (115/230V inputs).



PRI Label

"x" is replaced by last digit of model number



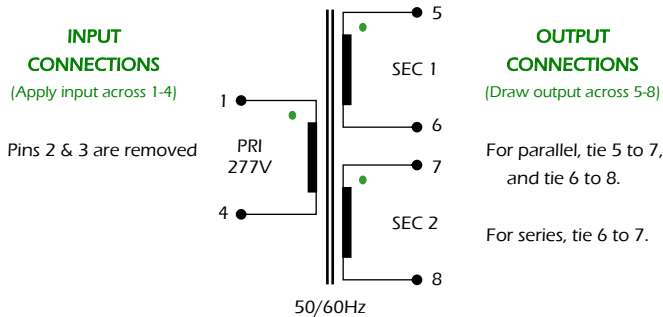
SEC Label

(\*YYWW" replaced by current date code)

Dimensions are for reference only.

MODEL	Series Rating	Parallel Rating
SPHV-277-1100	10VCT @ 0.500A	5V @ 1.000A
SPHV-277-1101	12.6VCT @ 0.400A	6.3V @ 0.800A
SPHV-277-1102	16VCT @ 0.310A	8V @ 0.620A
SPHV-277-1103	20VCT @ 0.250A	10V @ 0.500A
SPHV-277-1104	24VCT @ 0.210A	12V @ 0.420A
SPHV-277-1105	28VCT @ 0.180A	14V @ 0.360A
SPHV-277-1106	36VCT @ 0.140A	18V @ 0.280A
SPHV-277-1107	48VCT @ 0.105A	24V @ 0.210A
SPHV-277-1108	56VCT @ 0.090A	28V @ 0.180A
SPHV-277-1109	120VAC @ 0.042A	60V @ 0.084A

SEC 1 and SEC 2 must ALWAYS be inter-connected, either in parallel or series.



277V 50/60Hz  
5VA



A PowerVolt Group Company  
Bellevue, Iowa 52031 USA  
ISO 9001 Registered since 1998