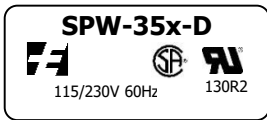
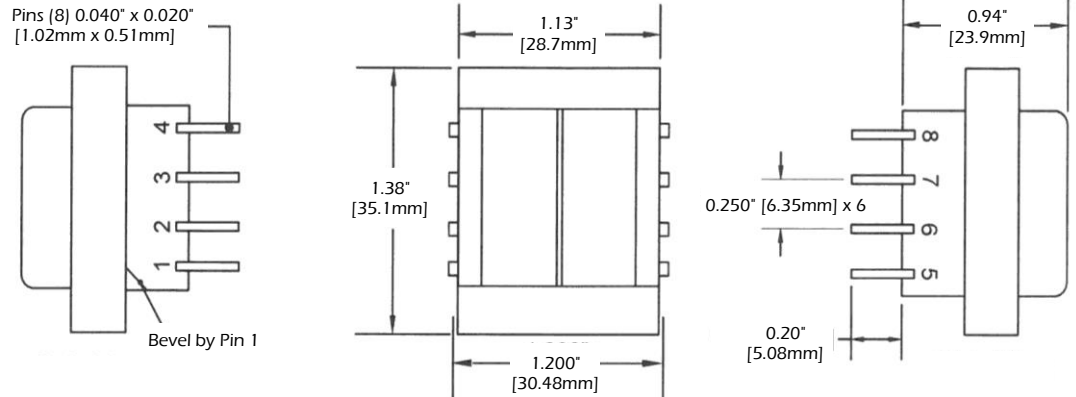


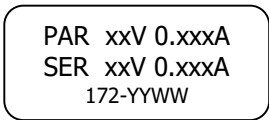
SPW-350-D Series Features:

- * Rating: 1.1VA
- * 115/230V 60Hz dual (series/parallel) inputs & outputs, (see schematic notes below).
- * Side-by-side input and outputs (no electrostatic shield required).
- * 100% tested for PRI-SEC hi-pot at 2500VAC, PRI-Core & SEC-Core at 1800VAC.
- * Coated to resist dust and moisture.



PRI Label

"x" is replaced by last digit of model number



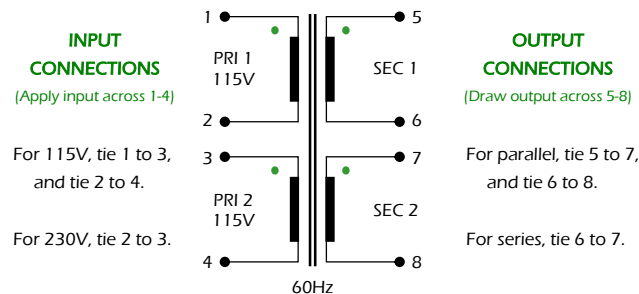
SEC Label

("YYWW" replaced by current date code)

Dimensions are for reference only.

MODEL	Series Rating	Parallel Rating
SPW-350-D	10VCT @ 0.110A	5V @ 0.220A
SPW-351-D	12.6VCT @ 0.090A	6.3V @ 0.180A
SPW-352-D	16VCT @ 0.070A	8V @ 0.140A
SPW-353-D	20VCT @ 0.055A	10V @ 0.110A
SPW-354-D	24VCT @ 0.045A	12V @ 0.090A
SPW-355-D	28VCT @ 0.040A	14V @ 0.080A
SPW-356-D	36VCT @ 0.030A	18V @ 0.060A
SPW-357-D	48VCT @ 0.023A	24V @ 0.046A
SPW-358-D	56VCT @ 0.020A	28V @ 0.040A
SPW-359-D	120VCT @ 0.010A	60V @ 0.020A

PRI 1 and PRI 2 must ALWAYS be inter-connected, either in parallel or series.
SEC 1 and SEC 2 must ALWAYS be inter-connected, either in parallel or series.



SPW-350-D

CERTIFICATIONS & DECLARATIONS

- * **UL 5085-2** General Purpose recognized (E47299).
- * **CSA C22.2 #66** certified (063944).
- NOTE: Providing external circuit protection (ie. fusing) to comply with safety agency requirements in the application is the responsibility of the customer.*
- * **UL 1446** Recognized Class B (130°C) Insulation System (File E95662).
- * **RoHS** and **REACH** Compliant.
- * California **Prop 65** warning:

These products may contain chemicals known to the State of California to cause cancer, and birth defects or other reproductive harm.

REV	DATE	DESCRIPTION	BY
1	15-Aug-2024	"130R2" was "130R1".	SDE
0	31-May-2021	Acquired from Prem Magnetics. Released for Production.	SDE

**115/230V 60Hz
1.1VA**



A PowerVolt Group Company
Bellevue, Iowa 52031 USA
ISO 9001 Registered since 1998